

The ED1200 range of switches have been designed to provide a rapid means of disconnecting batteries or other power supplies in the event of serious electrical faults. Designed for use with uninterrupted high current battery powered systems such as those found in Telecommunication Power Distribution Units, all types are capable of safely rupturing full load battery currents in the event of an emergency.

- Uninterrupted current - no or infrequent load switching requirements (maintains a lower contact resistance).

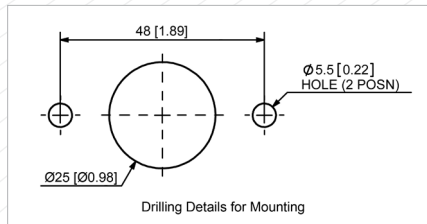
The ED1200 is a manually operated device with a snap action for both opening and closing of the main contacts. They have paralleled double breaking contacts with silver alloy tips which are weld resistant, hard wearing and have excellent conductivity. The ED1200 is easy to install (see drilling details) and can be mounted using the main terminal busbars or secured with supplied M5 posidrive mounting screws on the frame of the device.

**Precautions:**

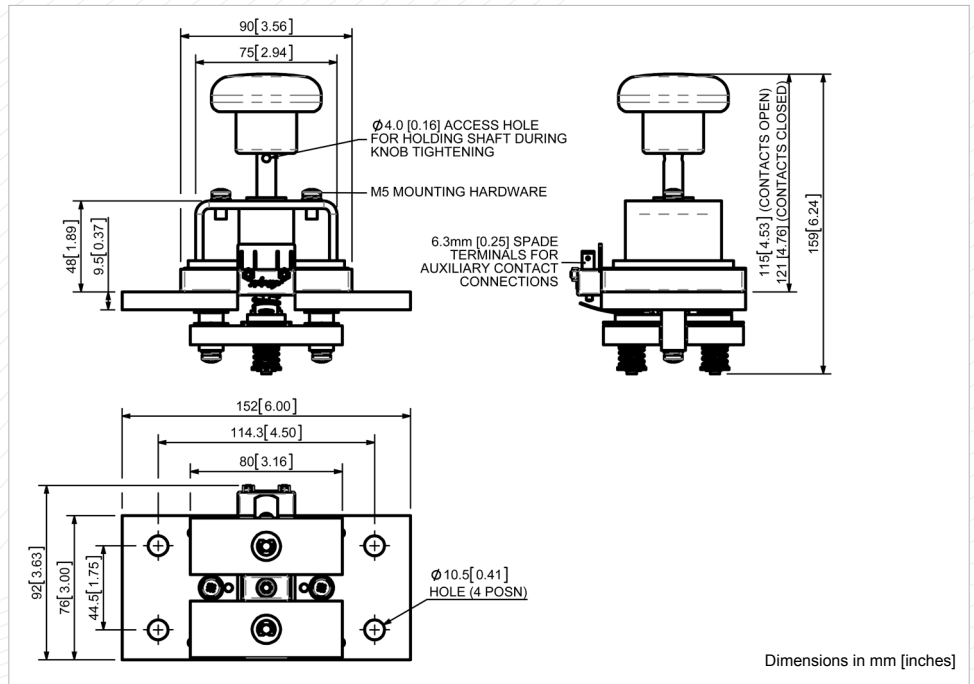
The switch is to be used to rupture current in an emergency or as a no-load isolator. **Do not use as a regular On-Load Switching Device.**



ED1200



Drilling Details for Mounting



Dimensions in mm [inches]

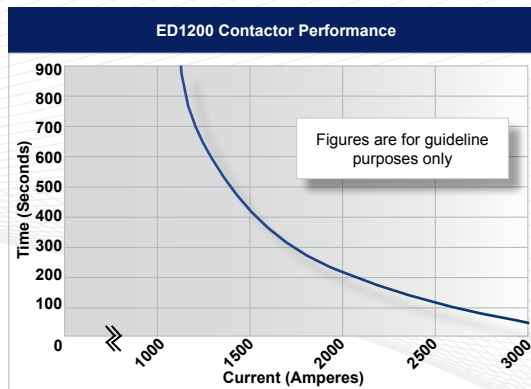
Application	Uninterrupted
Thermal Current Rating (I <sub>th</sub> )	1200A
Intermittent Current Rating:	
30% Duty	2190A
40% Duty	1895A
50% Duty	1695A
60% Duty	1550A
70% Duty	1435A
Rated Fault Current Breaking Capacity (I <sub>cn</sub> ) Resistive Load: (in accordance with UL508*)	
ED1200	1800A at 60v D.C.
Maximum Recommended Contact Voltages (U <sub>c</sub> ):	
ED1200	60V D.C.
Typical Voltage Drop per pole across New Contacts at 100A	<50mV
Mechanical M.T.B.F	>10,000
Operating Ambient Temperature	- 40°C to + 60°C
Guideline Contactor Weight:	
ED1200	2000 gms

Advised Connection Sizes for Maximum Continuous Current	
Copper busbar	722mm <sup>2</sup> [1.12 inch <sup>2</sup> ]

**Key:** ▲ = Uninterrupted

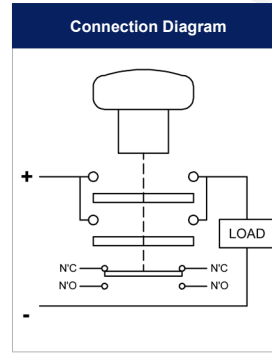
**Note:** Where applicable values shown are at 20°C

\* Please check our web site for product UL status



**Contact Performance Key:**

— Uninterrupted Current



ED1200 Available Options		
General		Suffix
Auxiliary Contacts	○	A
Auxiliary Contacts - V3	X	
Magnetic Blowouts†	X	
Magnetic Blowouts - High Powered†	X	
Mounting Brackets	X	
Closed Contact Housing	X	
Environmentally Protected IP66	X	
EE Type (Steel Shroud)	X	
Lockable	X	
Contacts		
Large Tips	X	
Textured Tips	X	
Silver Plating (fitted as standard)	○	
Key: Optional ○ Standard ● Not Available X		
† Connections become polarity sensitive		

- Performance data provided should be used as a guide only. Some de-rating or variation from figures may be necessary according to application
- Thermal current ratings stated are dependant upon the size of conductor being used
- For further technical advice email: [technical@albrightinternational.com](mailto:technical@albrightinternational.com)
- Albright reserve the right to change data without prior notice