

# SD200

## HEAVY DUTY D.C. BATTERY DISCONNECTING SWITCH



International announces a new addition to the ED & SD ranges of Battery Disconnection Switches:

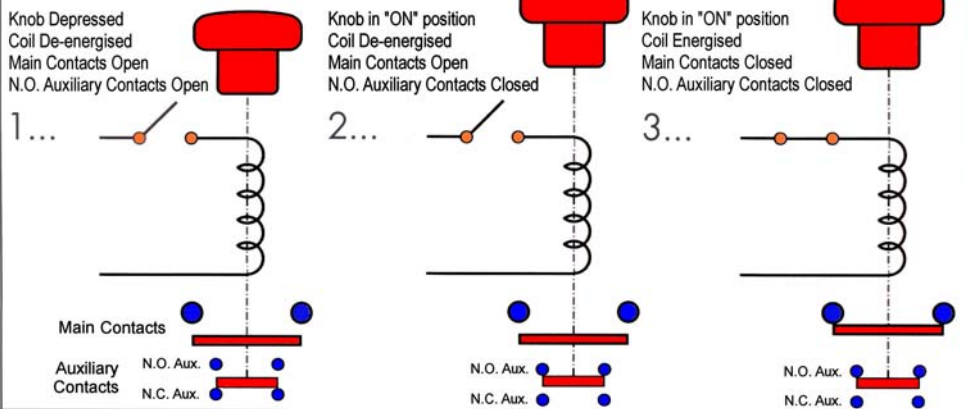
**SD200** – This replaces the SD150 series.

The SD200 combines the dual function of a manual disconnect and coil operated line contactor and the benefits of this design include compact size and reduced installation costs combined with an electrical capacity sufficient for most small and medium size electric vehicles.

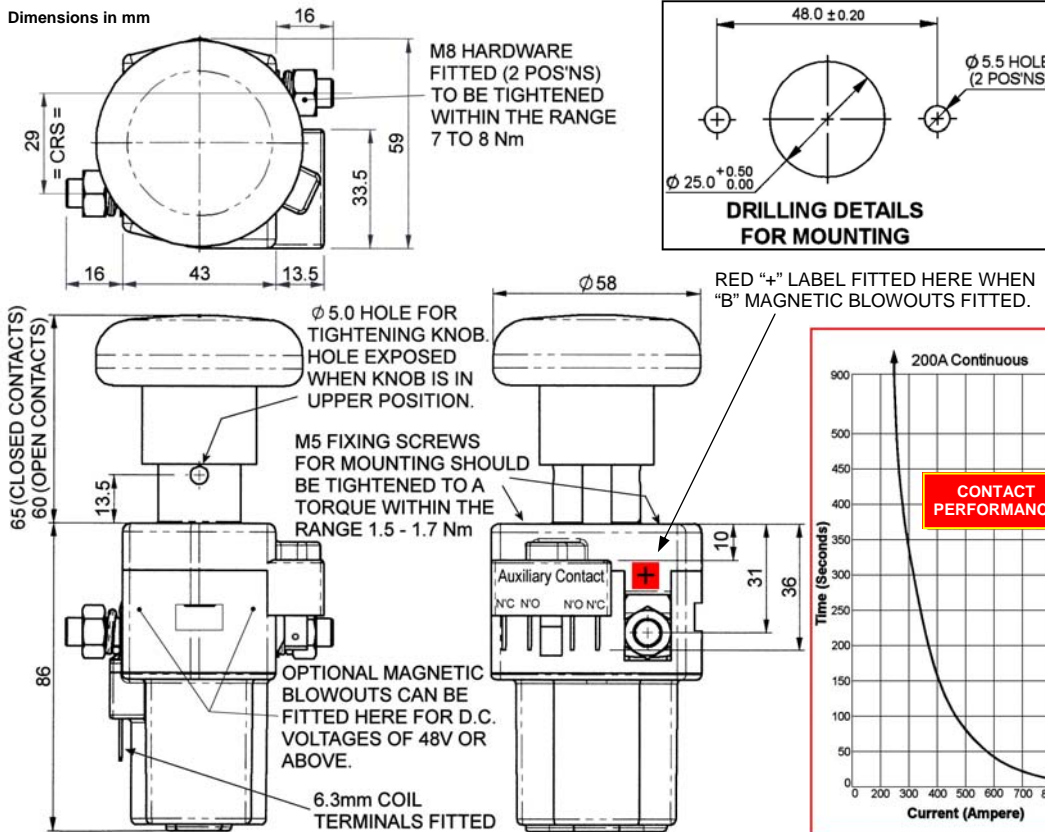


**SD200A**

### Operating Modes for SD200..

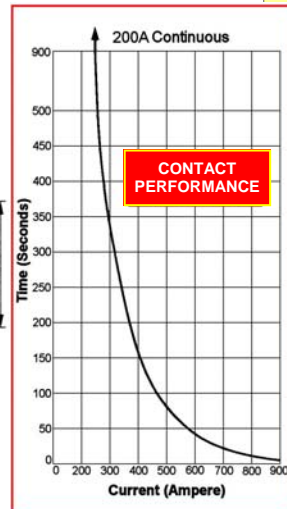


Dimensions in mm



### PERFORMANCE DATA

<b>Thermal Current Rating (100%):</b>	200 Ampere
<b>Intermittent Current Ratings:</b>	
30% - 360 Ampere	60% - 260 Ampere
40% - 320 Ampere	70% - 240 Ampere
50% - 300 Ampere	
<b>Typical Inductive Fault Currents that can be ruptured (5ms time constant):</b>	
SD200	800 Amperes at 48V D.C.
SD200B	800 Amperes at 80V D.C.
<b>Maximum Recommended Contact Voltages:</b>	
SD200	48V D.C.
SD200B	96V D.C.
<b>Typical Voltage Drop across New Contacts per 100 Ampere:</b>	40mV
<b>Mechanical Life:</b>	
Manually Operated	>10,000
Electrically Operated	>3,000,000
<b>Coil Power Dissipation:</b>	
Intermittently Rated Types:	15 - 20 Watts
Continuously Rated Types:	7 - 13 Watts
<b>Maximum Pull-in Voltage (Coil at 20°C):</b>	
Intermittently Rated Types:	60%V
Continuously Rated Types:	66%V
<b>Typical Drop-out Voltage (Coil at 20°C):</b>	10-25%
<b>Typical Pull-in time (contacts to close):</b>	20ms
<b>Typical Drop-out time (contacts to Open):</b>	
Without Suppression:	5ms
With Diode Suppression:	50ms
With Diode and Resistor (depending on value):	8-20ms
<b>Typical Contact Bounce Period:</b>	3ms
<b>Auxiliary Contact Thermal Current Rating:</b>	5 Ampere
<b>Auxiliary Contact Switching Capacities (Resistive Load):</b>	
	5A at 24V D.C.
	2A at 48V D.C.
	0.5A at 240V D.C.



Albright is registered under BS EN ISO 14001—Environmental Management System. Should you require information on the disposal of our products, please contact the Health, Safety & Environmental Manager of your Local Supplier for Disposal Guidance Note.

**Albright International Limited**  
 Tecknowledgey Inc.  
 8 John Walsh Blvd  
 Peekskill, NY 10566  
 Web Site: [www.tecknowledgey.com](http://www.tecknowledgey.com)



Tel: 914-739-4499  
 Fax: 914-739-5599  
[www.tecknowledgey.com](http://www.tecknowledgey.com)

E-mail: [info@tecknowledgey.com](mailto:info@tecknowledgey.com)