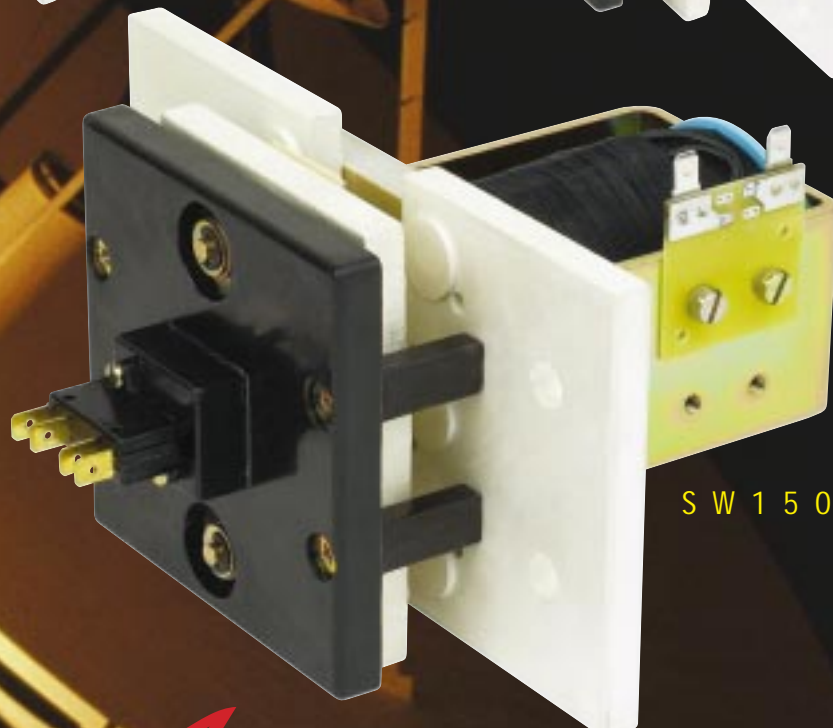
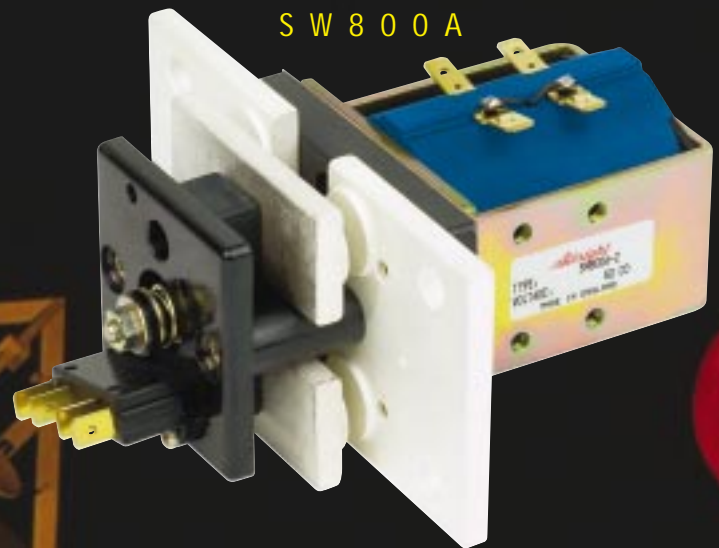
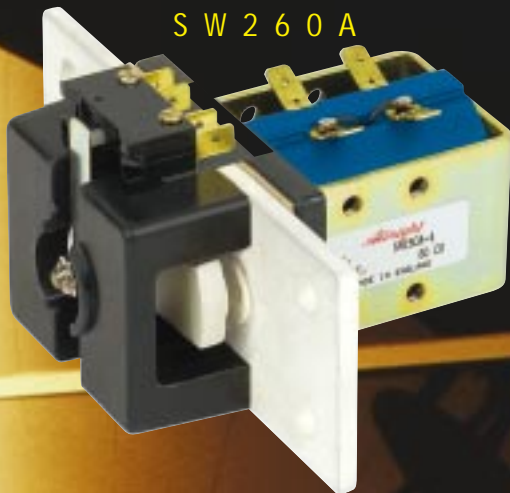


Heavy Duty DC Contactors for Power Distribution Centres

SW 260 , SW 500 , SW 560 ,
SW 600 , SW 800 , SW 1000
& SW 1500 TYPES

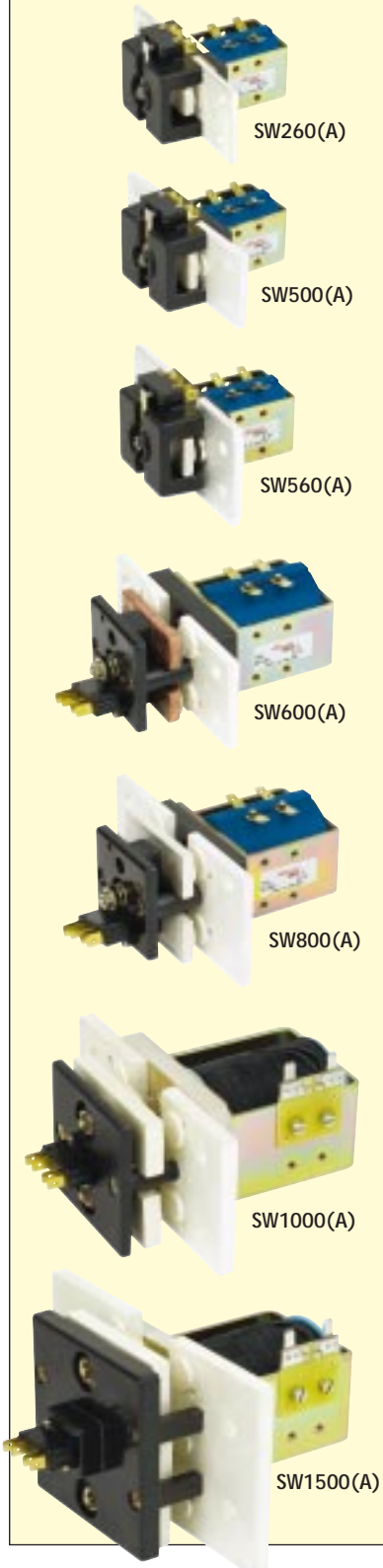


Albright

INTERNATIONAL

Heavy Duty DC Contactors for Power Distribution Centres

The Range...



This "SW" series is a unique range of heavy duty contactors designed for use within the telecommunications market on direct current loads.

The contact tips are silver alloy – which is weld resistant, hard wearing and has very good conductivity.

THE CONTACTORS ARE COMPACT IN SIZE... They can be mounted vertically or horizontally. If mounted vertically the coil should be at the bottom.

OPERATING COILS... Coil voltages ranging from 6 to 240 are available, these are wound for DC operation. However, coils can be fitted with a bridge rectifier for use with AC supplies. Coils are wound for continuous duty, with pull-in voltages (coils at 20°C) approximately 66% of the rated voltage and drop-out voltage nominally greater than 10% of the rated voltage. Variations from these pull-in and drop-out figures can be engineered to suit particular applications. Coil connections are by means of 6.3mm spades.

AUXILIARY CONTACTS... A double circuit normally open, normally closed microswitch can be fitted to the contactors. This has a DC resistive rating of 5 amperes at 24 volts. The suffix "A" should be added to the type number when auxiliary contacts are needed – for example, an SW600 with auxiliary contacts is an SW600A.

ALTERNATING CURRENTS... The contactors can also be used for alternating current loads.

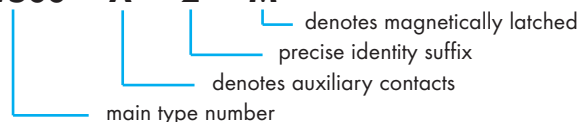
In addition, all contactors are available with magnetic latching which enables them to remain closed whilst consuming no coil power.

(See separate brochure – "Power Consumption Reduction for Albright Contactors").

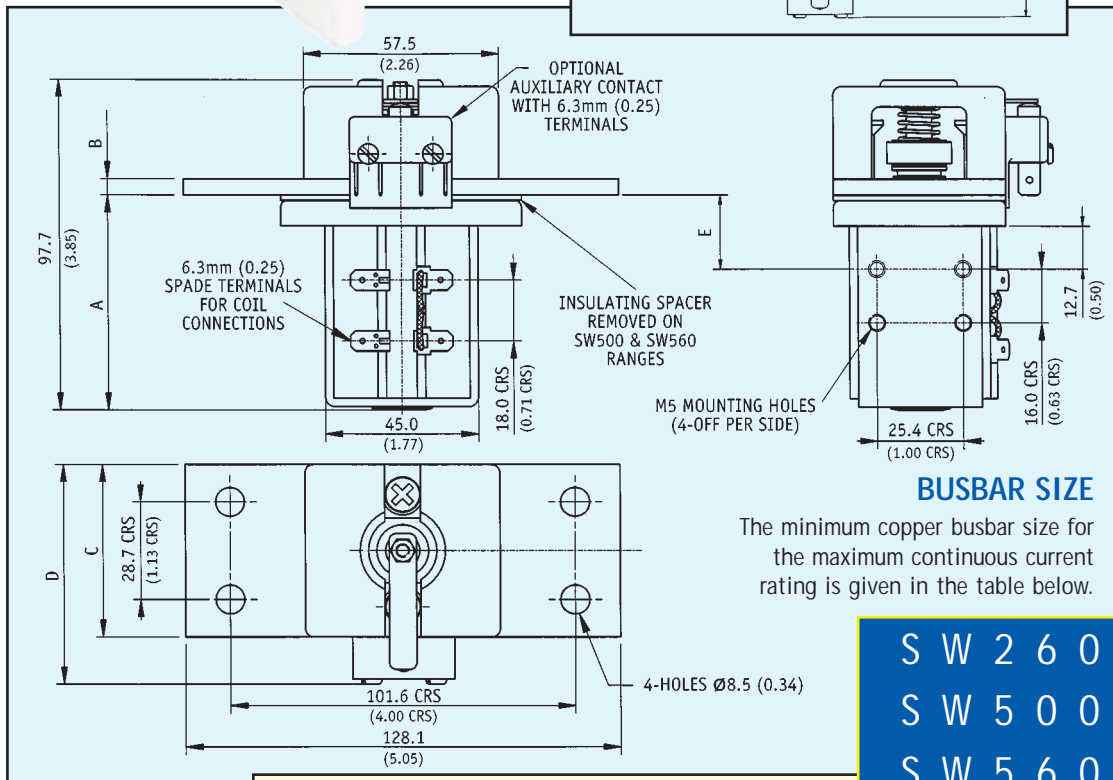
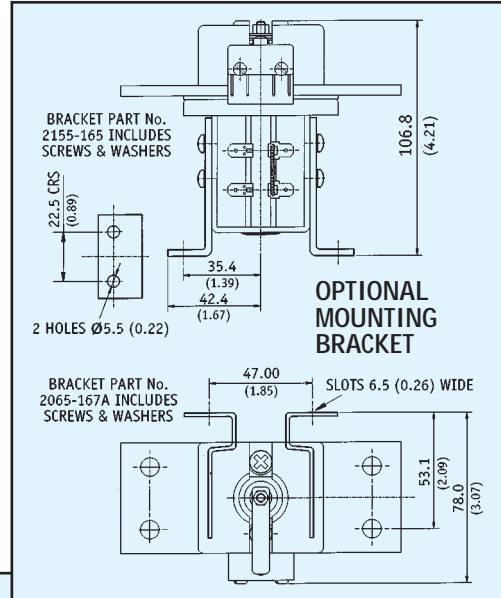
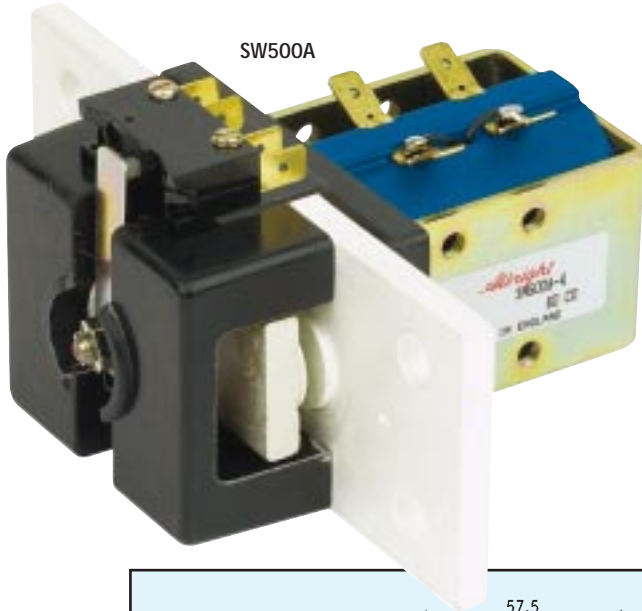
Type No.	Description	Max. Continuous Thermal Current Rating	U.L. File No.
SW260	Single Pole on/off	300 Amperes	E165921
SW260A	with auxiliary contacts		
SW500	Single Pole on/off	500 Amperes	E165921
SW500A	with auxiliary contacts		
SW560	Single Pole on/off	600 Amperes	E165921
SW560A	with auxiliary contacts		
SW600	Single Pole on/off	600 Amperes	E165921
SW600A	with auxiliary contacts		
SW800	Single Pole on/off	800 Amperes	E165921
SW800A	with auxiliary contacts		
SW1000	Single Pole on/off	1200 Amperes	E165921
SW1000A	with auxiliary contacts		
SW1500	Single Pole on/off	1800 Amperes	E165921
SW1500A	with auxiliary contacts		

Explanation of Contactor Part Numbers

SW500 - A - 2 - M



SW260, SW500 & SW560 HEAVY DUTY DC CONTACTORS



Dimensions in mm (inches)

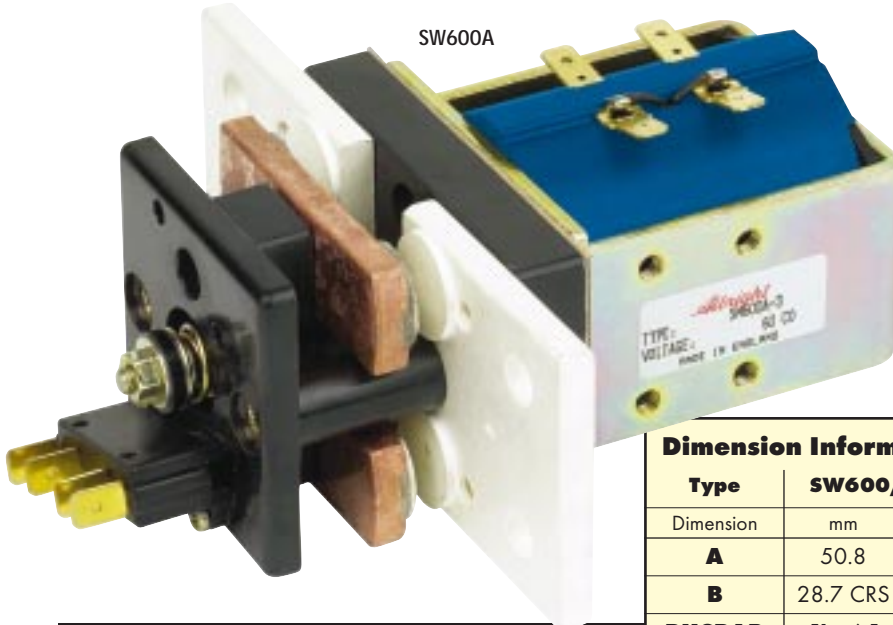
Dimension Information for...

Type	SW260/SW260A		SW500/SW500A		SW560/SW560A	
	mm	inches	mm	inches	mm	inches
Dimension						
A	63.5	2.50	61.9	2.43	61.9	2.43
B	4.8	0.19	6.3	0.25	6.3	0.25
C	50.8	2.00	50.8	2.00	63.5	2.50
D	64.8	2.55	64.8	2.55	71.1	2.80
E	21.9	0.86	20.3	0.80	20.3	0.80
BUSBAR	51 x 4.75	2 x 0.187	51 x 6.5	2 x 0.256	63.5 x 6.5	2.5 x 0.256

Heavy Duty
DC Contactors
from...

Albright
INTERNATIONAL

SW600 & SW800 HEAVY DUTY DC CONTACTORS

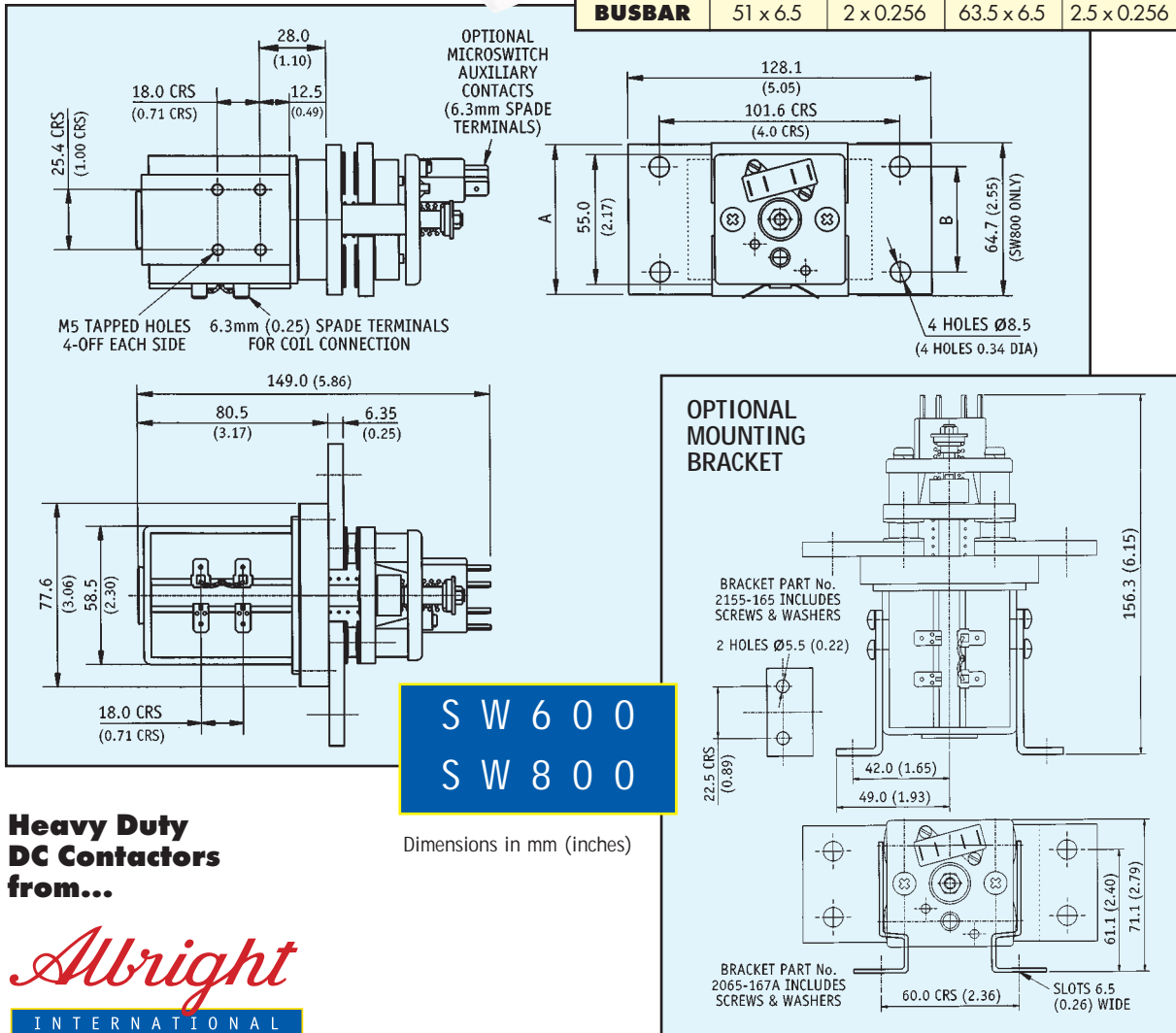


BUSBAR SIZE

The minimum copper busbar size for the maximum continuous current rating is shown in the table below:

Dimension Information for...

Type	SW600/SW600A		SW800/SW800A	
Dimension	mm	inches	mm	inches
A	50.8	2.00	63.5	2.50
B	28.7 CRS	1.13 CRS	44.5 CRS	1.75 CRS
BUSBAR	51 x 6.5	2 x 0.256	63.5 x 6.5	2.5 x 0.256



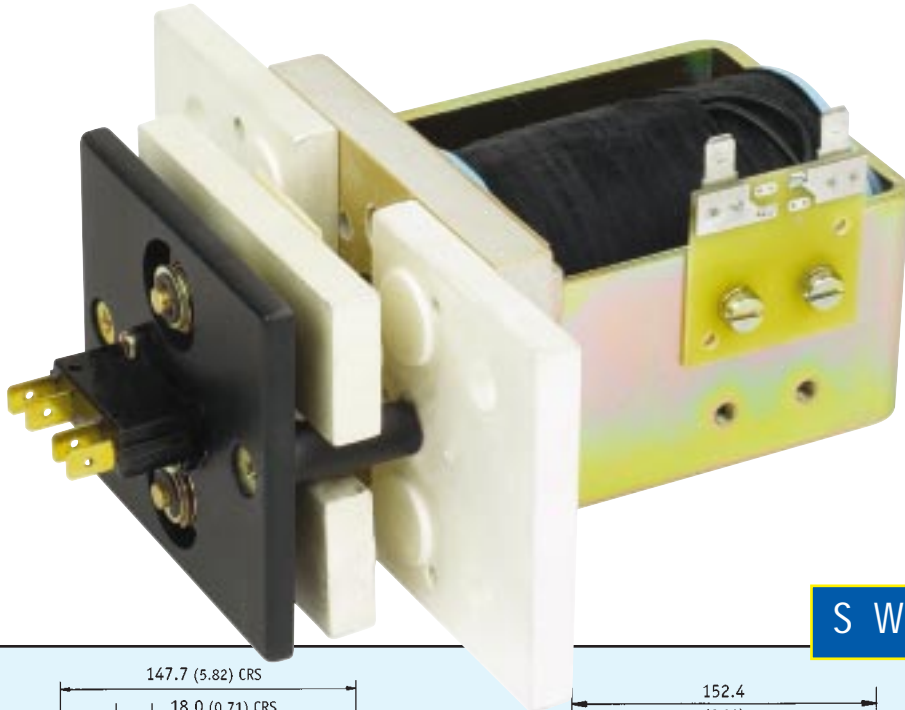
SW600
SW800

Dimensions in mm (inches)

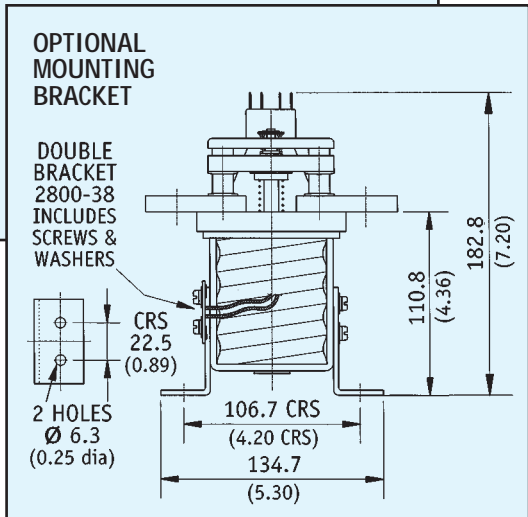
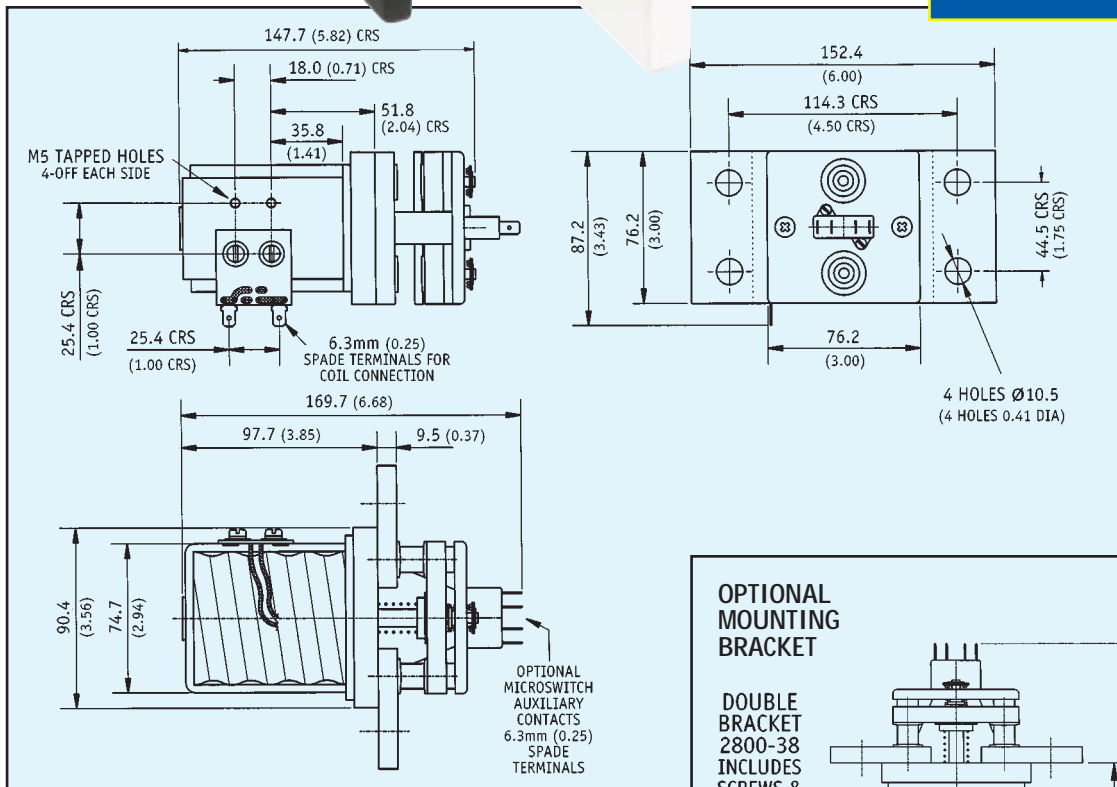
**Heavy Duty
DC Contactors
from...**

Albright
INTERNATIONAL

SW1000 HEAVY DUTY DC CONTACTOR



SW1000



All dimensions in mm (inches)

Heavy Duty DC Contactors from...

Albright
INTERNATIONAL

BUSBAR SIZE

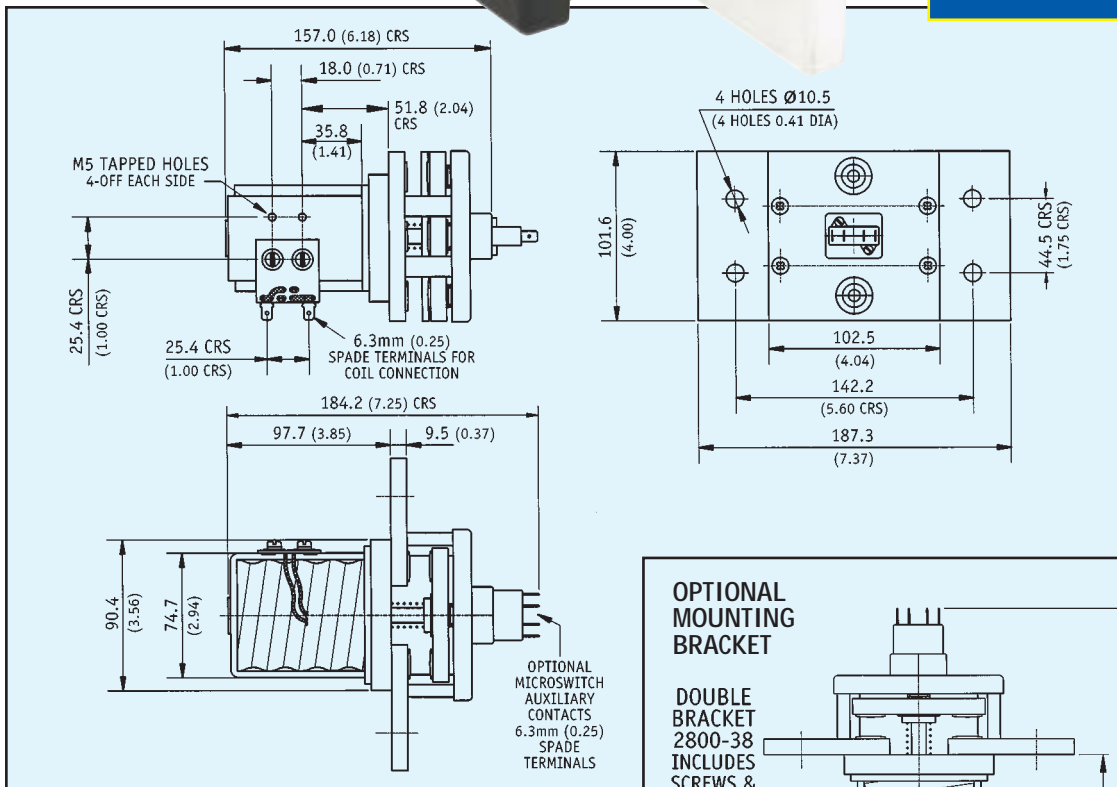
The minimum copper busbar size for the maximum continuous current rating is:

76 x 9.5 (3 x 0.374)

SW1500 HEAVY DUTY DC CONTACTOR



SW1500



All dimensions in mm (inches)

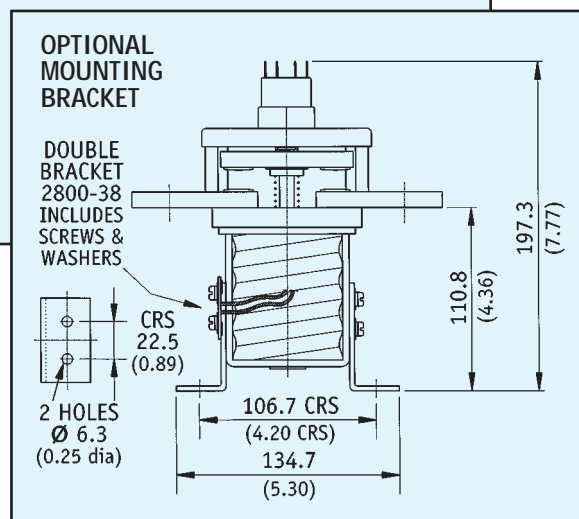
**Heavy Duty
DC Contactors
from...**

Albright
INTERNATIONAL

BUSBAR SIZE

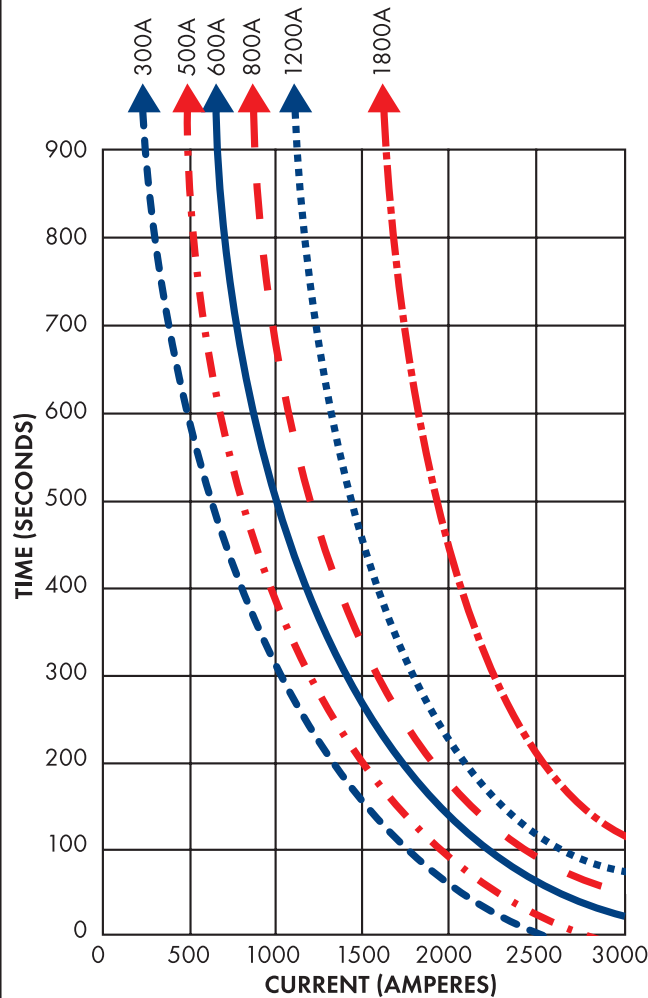
The minimum copper busbar size for the maximum continuous current rating is:

101.5 x 9.5 (4 x 0.374)



PERFORMANCE DATA FOR ALL CONTACTORS

CONTACT PERFORMANCE (Intermittent ratings)



SW260	SW500	SW560 & SW600
SW800	SW1000	SW1500

Typical Resistive Fault Currents that can be ruptured

SW260/SW260A:	450 Amperes at 60V DC
SW500/SW500A:	750 Amperes at 60V DC
SW560/SW560A:	900 Amperes at 60V DC
SW600/SW600A:	900 Amperes at 60V DC
SW800/SW800A:	1200 Amperes at 60V DC
SW1000/SW1000A:	1800 Amperes at 60V DC
SW1500/SW1500A:	2700 Amperes at 60V DC

Max. Recommended Contact Voltages:

All contactors 60V DC

Typical Voltage Drop across contacts when new at maximum rated load: 20-50mV

Mechanical Life:

All contactors: >1,000,000

Coil Power Dissipation

Continuously Rated Types:

SW260/SW500/SW560:	12 - 16 Watts
SW600/SW800:	13 - 25 Watts
SW1000/SW1500:	25 - 35 Watts

Maximum Pull-in Voltage (Coil at 20°C)

Continuously Rated Types: 66%V DC

Typical Drop-out Voltage:

All contactors: 10-30%

Typical Contact Bounce Time <5ms

Auxiliary Contact Switching Capacities (Resistive Load):

5 Amperes at 24V DC
2 Amperes at 48V DC
0.5 Amperes at 240V DC

Contactor Weights:

SW260	0.950 Kg
SW500	1.030 Kg
SW560	1.100 Kg
SW600	1.450 Kg
SW800	1.600 Kg
SW1000	3.235 Kg
SW1500	3.950 Kg

NOTE:

All of the performance data given here should be used as a guide only. Alternative ratings may need to be considered according to applications.

The thermal current ratings stated for the contactors are dependent upon the size of busbar being used for the required duty.

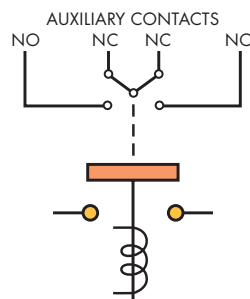
For maximum continuous ratings the busbars should not be less than the sizes shown in the individual diagrams.

Heavy Duty DC Contactors from...

Albright
INTERNATIONAL

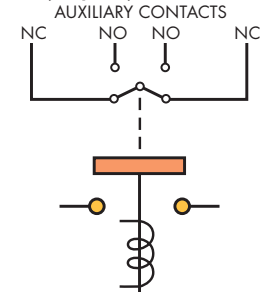
Connection Diagram SW260A, SW500A & SW560A

Single Pole Single Throw (On/Off) Contactor



Connection Diagram SW600A, SW800A SW1000A & SW1500A

Single Pole Single Throw (On/Off) Contactor



Awbright

INTERNATIONAL



SW560A

Tecknowledgey Inc.
8 John Walsh Blvd
Peekskill, NY 10566

Phone: 914-739-4499
Fax: 914-739-5599
eMail: info@tecknowledgey.com
Web: www.tecknowledgey.com