

PLATFORM

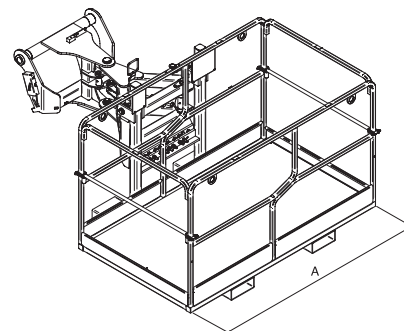
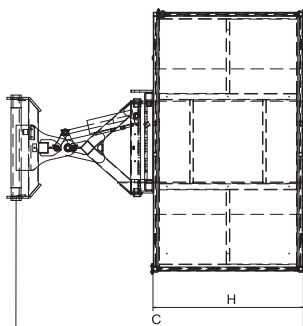
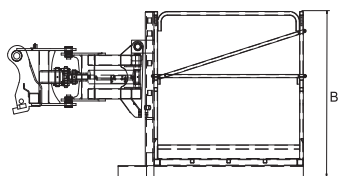
PEOPLE UPLIFTING and HANDLING solutions

ADVANTAGES

- Simple and efficient platform perfectly secured.
- Cost efficient solution for uplifting people.
- Access from both sides for higher flexibility.
- Easy to move while unused thanks to 2 forks sleeves.

TECHNICAL CHARACTERISTICS

- Capacity 365 kg.
- Slewing platform +/- 90° or fixed.
- Legally approved for 3 persons.
- Overload and presence sensor.
- Painted platform.



	Capacity (kg)	A	B	C	H	Slewing (degrees)	People	Weight (kg)
NAC 2M	365	2000	1292	1640	1210	0°	3	410
ORH	365	2000	1295	2220	1205	+/-90°	3	570

COMPATIBILITY*

	NAC 2M	ORH
Part Number MT	788782	785376
MT 1135 HA	X	X
MT 1335 HA	X	X
MT 1440 A / HA	X	X
MT 1840 A / HA	X	X
Part Number MRT	725335	725336
MRT EASY	X	X
MRT PRIV	X	X
Part Number MRT +	921296	921304
MRT + PRIV	X	X

* This Attachment has been approved for the MT and MRT listed above. A load chart Machine/Attachment has been created accordingly.

This brochure describes versions and configuration options for Manitou products which may be fitted with different equipment. The equipment described in this brochure may be standard, optional or not available depending on version. Manitou reserves the right to change the specifications shown and described at any time and without prior warning. The manufacturer is not liable for the specifications given. For more information, contact your Manitou dealer. Non-contractual document. Product descriptions may differ from actual products. List of specifications is not comprehensive. The logos and visual identity of the company are the property of Manitou and may not be used without authorisation. All rights reserved. The photos and diagrams contained in this brochure are provided for information only. MANITOU BF SA - Limited company with board of directors - Share capital: 39,547,824 euros - 857 802 508 RCS Nantes

NAC_EN_B_0413



www.manitou.com