

HIGH CAPACITY MANURE GRAB

AGRICULTURAL HANDLING Solutions

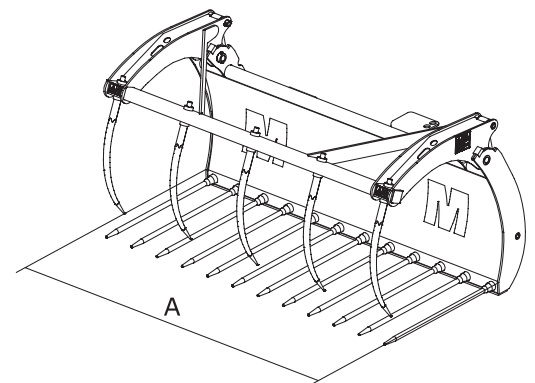
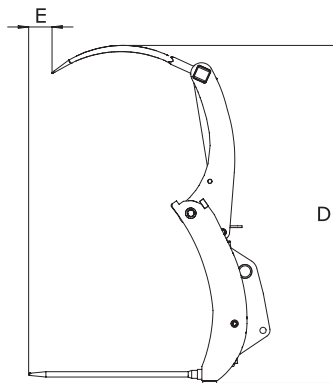
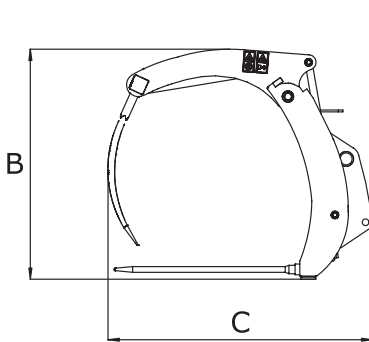


ADVANTAGES

- Massive and reliable attachment
- Excellent visibility thanks to its innovative design.
- The best solution for manure application.
- Improved jaw kinematic that allows work along walls.
- Versatile attachment that enables occasional square bale handling.

TECHNICAL CHARACTERISTICS

- Excellent capacity 2000 L.
- Bolt-on teeth and tines for an easy maintenance.
- High-resistance steel.
- Teeth: Ø 45 mm, length 939 mm.
- Tines: Ø 45 mm, length 1100 mm.



	Capacity (L)	A	B	C	D	E	Teeth	Tines	Weight (kg)
FMG 2450/2000	2000	2435	1225	1411	1932	134	5	12	686

COMPATIBILITY*

	FMG 2450/2000
Part Number	790534
MLT 625	
MLT 634	
MLT 735	
MLT 840	X
MLT 845	
MLT 1035	

* This Attachment has been approved for the MLT listed above. A load chart Machine/Attachment has been created accordingly.



This brochure describes versions and configuration options for Manitou products which may be fitted with different equipment. The equipment described in this brochure may be standard, optional or not available depending on version. Manitou reserves the right to change the specifications shown and described at any time and without prior warning. The manufacturer is not liable for the specifications given. For more information, contact your Manitou dealer. Non-contractual document. Product descriptions may differ from actual products. List of specifications is not comprehensive. The logos and visual identity of the company are the property of Manitou and may not be used without authorisation. All rights reserved. The photos and diagrams contained in this brochure are provided for information only. MANITOU BF SA - Limited company with board of directors - Share capital: 39,547,824 euros - 857 802 508 RCS Nantes

FMG_EN_A_1212

 **MANITOU**

www.manitou.com