

MULTIFUNCTION GRAB BUCKET

AGRICULTURAL HANDLING Solutions

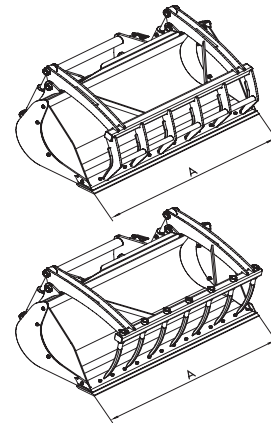
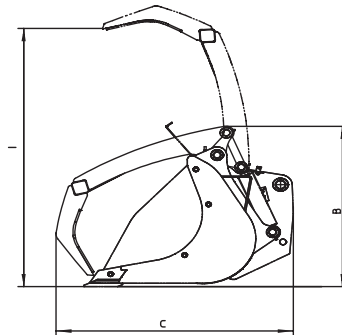
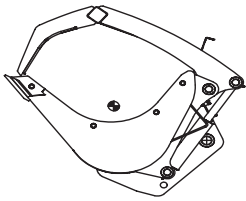


ADVANTAGES

- Reinforced construction (base, blade and grab).
- Powerful and improved jaw which offers an optimal attack angle of the silo > 90°.
- Grabs all kind of farming product.
- Inevitable tool for livestock farm.

TECHNICAL CHARACTERISTICS

- Welded teeth -MS- or forged -FO-.
- Pressure relief valve adjusted to 150 bar.
- Closed cheeks dismountable.
- Reversing and dismountable cutting edge.



CBG -MS-

CBS -FO-

	Capacity -MS- (L)	Capacity -FO- (L)	A	B	C	I	Teeth -MS-	Teeth -FO-	Weight (kg)
CBG 1850 DA	960	1030	1850	985	1258	1585	6	7	640
CBG 2100	1090	1170	2100	985	1250	1585	7	8	705
CBG 2300	1190	1280	2300	985	1250	1585	8	10	750
CBG 2450	1270	1370	2450	985	1250	1585	8	10	780

COMPATIBILITY*

	CBG 1850 DA	CBG 2100	CBG 2300	CBG 2450
Part Number	790302 (MS) 790303 (FO)	790304 (MS) 790305 (FO)	790306 (MS) 790307 (FO)	790308 (MS) 790309 (FO)
MLT 625	X			
MLT 629-20'		X	X	
MLT 629-24'			X	X
MLT 634				X
MLT 735				X
MLT 840				X
MLT 845				X

* This Attachment has been approved for the MLT listed above. A load chart Machine/Attachment has been created accordingly.

This brochure describes versions and configuration options for Manitou products which may be fitted with different equipment. The equipment described in this brochure may be standard, optional or not available depending on version. Manitou reserves the right to change the specifications shown and described at any time and without prior warning. The manufacturer is not liable for the specifications given. For more information, contact your Manitou dealer. Non-contractual document. Product descriptions may differ from actual products. List of specifications is not comprehensive. The logos and visual identity of the company are the property of Manitou and may not be used without authorisation. All rights reserved. The photos and diagrams contained in this brochure are provided for information only.

MANITOU BF SA - Limited company with board of directors - Share capital: 39,547,824 euros - 857 802 508 RCS Nantes

CBG_EN_B_0213



 **MANITOU**

www.manitou.com