

# REHANDLING BUCKET

AGRICULTURAL and BUILDING SITES HANDLING Solutions

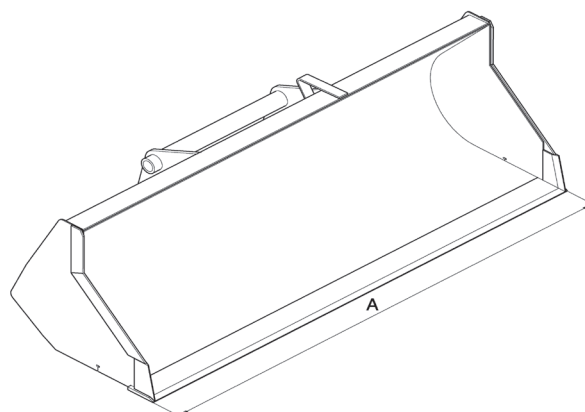
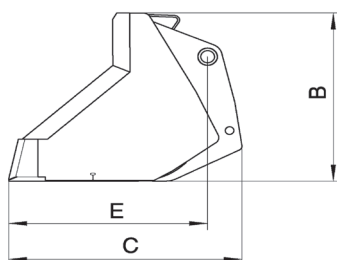
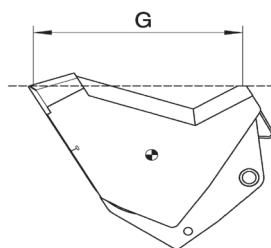


## ADVANTAGES

- Daily use bucket suitable for different applications.
- Basic attachment for loading and unloading operations.
- Robust and easy to use this bucket meets the needs of building sites workers.
- Ideal bucket for handling cereals, manure, earth, gravels...

## TECHNICAL CHARACTERISTICS

- Wide range of bucket capacity from 730 L to 1000 L.
- Recovery bucket suitable for handling materials with a density  $\leq 2,1$ .
- Reinforced structure (base, blade, sides).



## COMPATIBILITY\*

	CBR 730L 1850	CBR 780L 1950	CBR 900L 2250	CBR 1000L 2450
<b>Part Number</b>	571831	570613	653749	654716
<b>MLT 625</b>	X			
<b>MLT 629</b>			X	
<b>MLT 634</b>		X	X	X
<b>MLT 735</b>		X	X	X
<b>MLT 840</b>			X	X
<b>MLT 845</b>		X	X	X
<b>MT 625</b>	X			
<b>MT 732</b>		X	X	X
<b>MT 835</b>				X
<b>MT 932</b>			X	X
<b>MT 1030</b>			X	X
<b>MT 1135</b>				X
<b>MT 1235</b>			X	X
<b>MT 1335</b>				X
<b>MT 1440</b>			X	X
<b>MT 1740</b>			X	X
<b>MT 1840</b>			X	X
<b>MRT EASY</b>			X	X
<b>MRT PRIV</b>			X	X
<b>Part Number</b>	N/A	N/A	921281	921282
<b>MRT + PRIV</b>			X	X

\* This Attachment has been approved for the MLT, MT and MRT listed above. A load chart Machine/Attachment has been created accordingly.

This brochure describes versions and configuration options for Manitou products which may be fitted with different equipment. The equipment described in this brochure may be standard, optional or not available depending on version. Manitou reserves the right to change the specifications shown and described at any time and without prior warning. The manufacturer is not liable for the specifications given. For more information, contact your Manitou dealer. Non-contractual document.  
Product descriptions may differ from actual products. List of specifications is not comprehensive. The logos and visual identity of the company are the property of Manitou and may not be used without authorisation. All rights reserved. The photos and diagrams contained in this brochure are provided for information only.  
MANITOU BF SA - Limited company with board of directors - Share capital: 39,547,824 euros - 857 802 508 RCS Nantes

CBR\_EN\_B\_0413

	Capacity (L)	A	B	C	E	G	Weight (kg)
<b>CBR 730L 1850</b>	735	1850	775	957	815	857	330
<b>CBR 780L 1950</b>	778	1950	775	957	815	857	340
<b>CBR 900L 2250</b>	904	2250	775	957	815	857	390
<b>CBR 1000L 2450</b>	990	2450	775	957	815	857	410




# MANITOU

www.manitou.com